

Thick Tri Fold Sofa Bed Mechanism



LINKREST is one of the leading thick tri fold sofa bed mechanism manufacturers and suppliers in China. This thick tri fold sofa bed mechanism uses FSC and CARB certified birch wood strips, so you can buy and use it with confidence. Its very comfortable seat is supported by three folded foam mattresses. Of course, you can use a very thin cushion to obtain very good seat comfort.

Product Description

Tri Fold Sofa Bed Mechanisms

LINKREST is one of the famous **Thick Tri Fold Sofa Bed Mechanism** manufacturers and suppliers in China. We regularly offer 8 series Bi-fold sofa sleeper mechanism, 6 series of Tri-fold sofa bed mechanism, 5 one-step or one-action Italian function sofa bed mechanism, 9 version of pull-out pop-up sofa bed mechanisms, 7 models of drawing-out sliding sofa bed mechanisms, four click clacks futon mechanisms, five adjustable sofa bed mechanisms and swivel sofa bed mechanisms. Each mechanism has its own unique sets of features and benefits of elegance, comfort, durability and safety with excellent performance for residential and hospitality use.

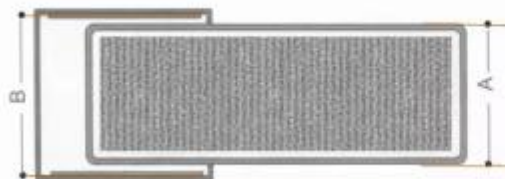
Thick Tri Fold Sofa Bed Mechanism Features & Benefits:

1. Allow 10 cm thickness of foam mattress and mattress looks thick to replace Bi-fold sleeper sofa mechanism.
2. Extra narrow mounting space from the back to the front board to fit most of styles.
3. No cross bar feeling like Bi-fold, it is really comfortable for every night.
4. Very comfortable seat due to 3 folded foam mattress support, you can use very thinner seat cushion to get very good seat comfort.
5. More container loading capacity both mechanism and finished bed to save big unit shipment cost. With or without mattress share the same container loading quantity.
6. Linkrest offer partly assembled mechanism for import customers, it can load about 1000 units per 40HQ, it is very easy to put together (See videos in Technical Support, and quality is the same as fully assembly sofa bed mechanism).
7. Linkrest offers hotel Tri-fold mechanism TFC00# to share the same dimensions with TFN00#.
8. We offer UK Fire-proof & air-breath polydeck for this type of 3 fold mechanism.

9. Option for U-shaped bar for some markets where people like to sit in the end of open bed.

10. FSC and CARB certificated birch slats.

WARNING: Don't forget 4 wood screws to fix ear brackets of mechanism for mechanism protection in transportation.



If the B width is 60 inches, the right code is TFN60(S/P/K/M).
S/P/K/M are optional configuration:
S- Whole wood slats
P- Two slats together with polydeck.
K- Four slats together with polydeck
M- U shaped support bar

Mechanism Width								
A Size (mm)	700	800	1000	1100	1200	1400	1500	1600
B Size (mm)	820	920	1120	1220	1320	1520	1620	1720
Mattress Width (mm)	630	730	930	1030	1130	1330	1430	1530
B Size (Inches)	32"	36"	44"	48"	52"	60"	64"	68"

B- is mounting size, USA takes this as mechanism size.

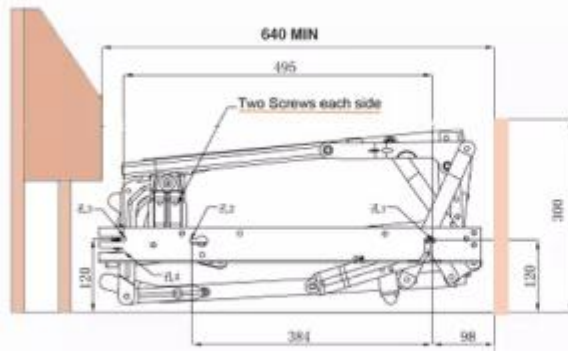
A- is tubular frame size, European and Australia take this as mechanism size.



Jiaxing Rest Furniture & Appliance Co.,Ltd.

Phone:+86-13967398833

E-mail:sales@linkrest.com



10cm thickness of foam mattress is recommended.

Add 2 slats in the seat will be more comfortable.

Add 4 slats will make sitting and sleeping more comfortable.

Whole wood slats are the best.